

# ABSOLUTE TYPE

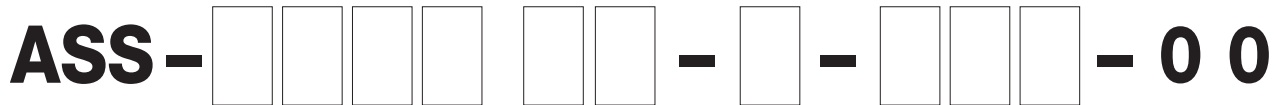
# ASS<sub>Model</sub>



# Rugged Absolute Type

- 10mm Dia Shaft for Very Rugged Structure Application.
- Dust-Resistance & Water-Resistance (IP64).

## Model



Resolution

Output code

Supply Voltage

Cable Length

Output Mode

- L : DC4.5 ~ 13.2V
- 24 : DC21.6 ~ 26.4V

- 050 : 500mm
- 100 : 1000mm
- 300 : 3000mm

No Indication : Voltage Output

C : Open Collector Output

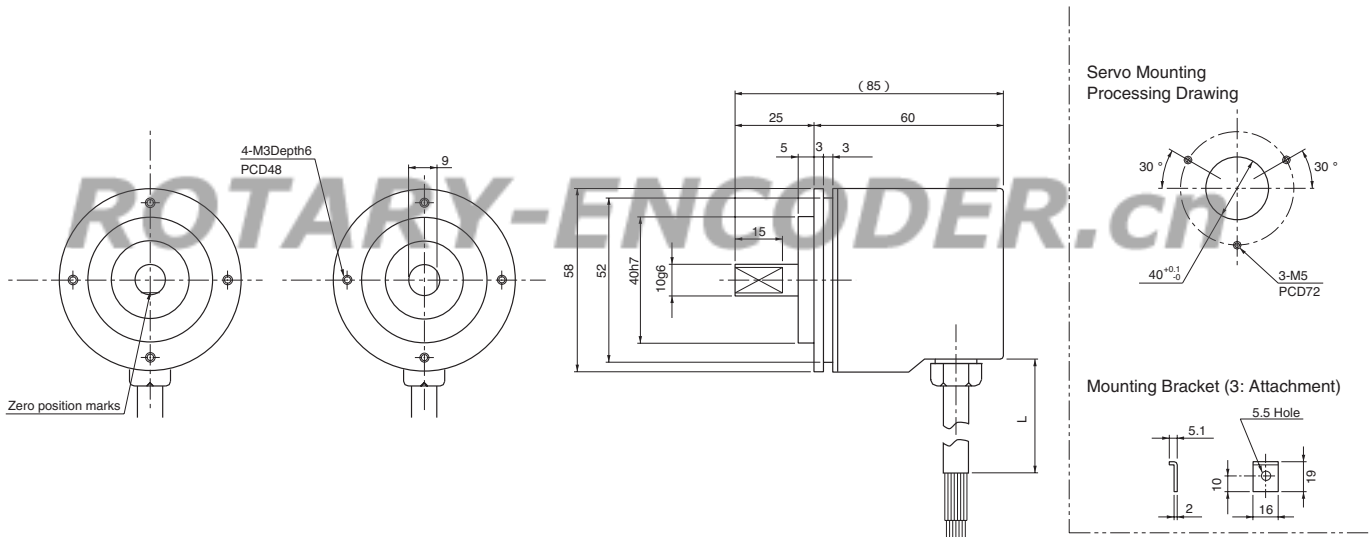
B : BCD Code Negative Logic

G : Grey Code Negative Logic

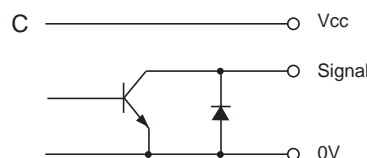
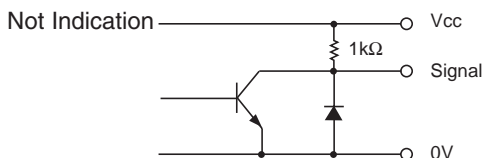
256	8bit (256) G only
360	10bit (360) B only
1024	10bit (1024) G only

Due to unavailable combination of specifications, Please make sure with sales Reps of the model name.

## External Dimension



## Input & Output Current



### Electrical Spec.

TYPE		Voltage Output	C
Supply Voltage		DC 4.5 ~ 13.2 V、DC21.6 ~ 26.4V	
Requirement		100 mA Max	
Output Voltage	"H"	Within - 1 power volt(Exclude C)	
	"L" ※1	0.5 V Max	
Maximum Output Current		35 mA MAX	
Rise & Fall Time		2 μs Max	
Maximum Frequency Response <sup>2</sup>		10kHz(256,360)	20kHz(1024)

※1) at Maximum Output Current ※2) When The Lording is 5V 1K

### Electrical Connections

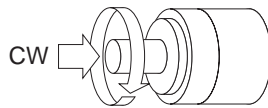
G(256·1024)	Color of Lead Wire	Description
	Red	Power Souce
	Black	OV Common
	Brown	Signal 2 <sup>0</sup>
	Brown-White	Signal 2 <sup>1</sup>
	Orange	Signal 2 <sup>2</sup>
	Orange-White	Signal 2 <sup>3</sup>
	Yellow	Signal 2 <sup>0</sup> × 10
	Yellow-White	Signal 2 <sup>1</sup> × 10
	Green	Signal 2 <sup>2</sup> × 10
	Green-White	Signal 2 <sup>3</sup> × 100
	Blue	Signal 2 <sup>0</sup> × 100
	Blue-White	Signal 2 <sup>1</sup> × 100
	Shielding Braid	NC

B(360)	Color of Lead Wire	Description
	Red	Power Souce
	Black	OV Common
	Brown	Signal 2 <sup>0</sup>
	Brown-White	Signal 2 <sup>1</sup>
	Orange	Signal 2 <sup>2</sup>
	Orange-White	Signal 2 <sup>3</sup>
	Yellow	Signal 2 <sup>4</sup>
	Yellow-White	Signal 2 <sup>5</sup>
	Green	Signal 2 <sup>6</sup>
	Green-White	Signal 2 <sup>7</sup>
	Blue	Signal 2 <sup>8</sup> Only available for 1024 split type
	Blue-White	Signal 2 <sup>9</sup> Only available for 1024 split type
	Shielding Braid	NC

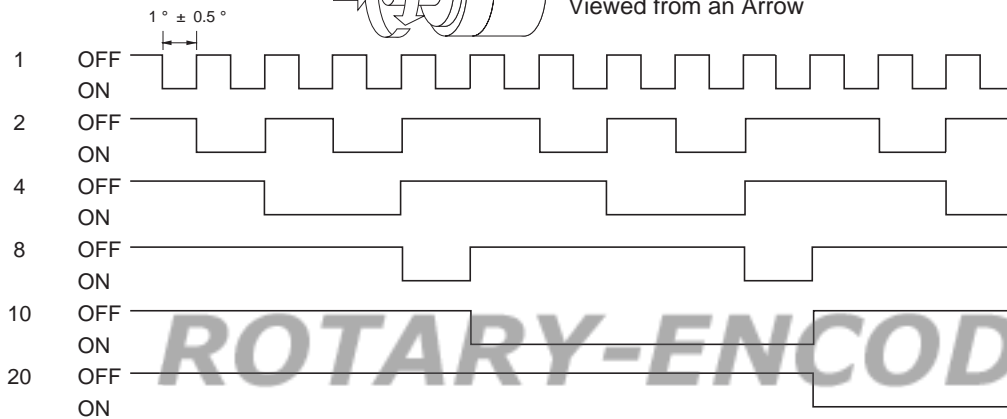
### Wave Form.

(Extract)

BCD Code



Rotating Toward Clockwise  
Viewed from an Arrow



番地 0 2 4 6 8 10 12 14 16 18 20 22 24  
1 3 5 7 9 11 13 15 17 19 21 23 25

### Mechanical Spec.

Starting Torque		9.8×10 <sup>-3</sup> N · m Max
Angular Acceleration		1×10 <sup>5</sup> rad/s <sup>2</sup>
Shaft Loading	Thrust axial	29.4N
	Radial	98.0N
Moment of Inertia		3.2×10 <sup>-6</sup> kg · m <sup>2</sup>
Maximum RPM		5000r/min
Net Weight(W/O Cable)		340g Max

### Environmental Spec.

Operating Temperature	-10°C ~ +70°C
Storage Temperature	- 25°C ~ +80°C
Humidity	RH 85% Max No Condensation
Vibration	10 ~ 55 Hz / 1.5mm 2 h
Shock	196m/s <sup>2</sup> ,6ms X, Y, Z Each 3 times
Degree of Protection	IP65